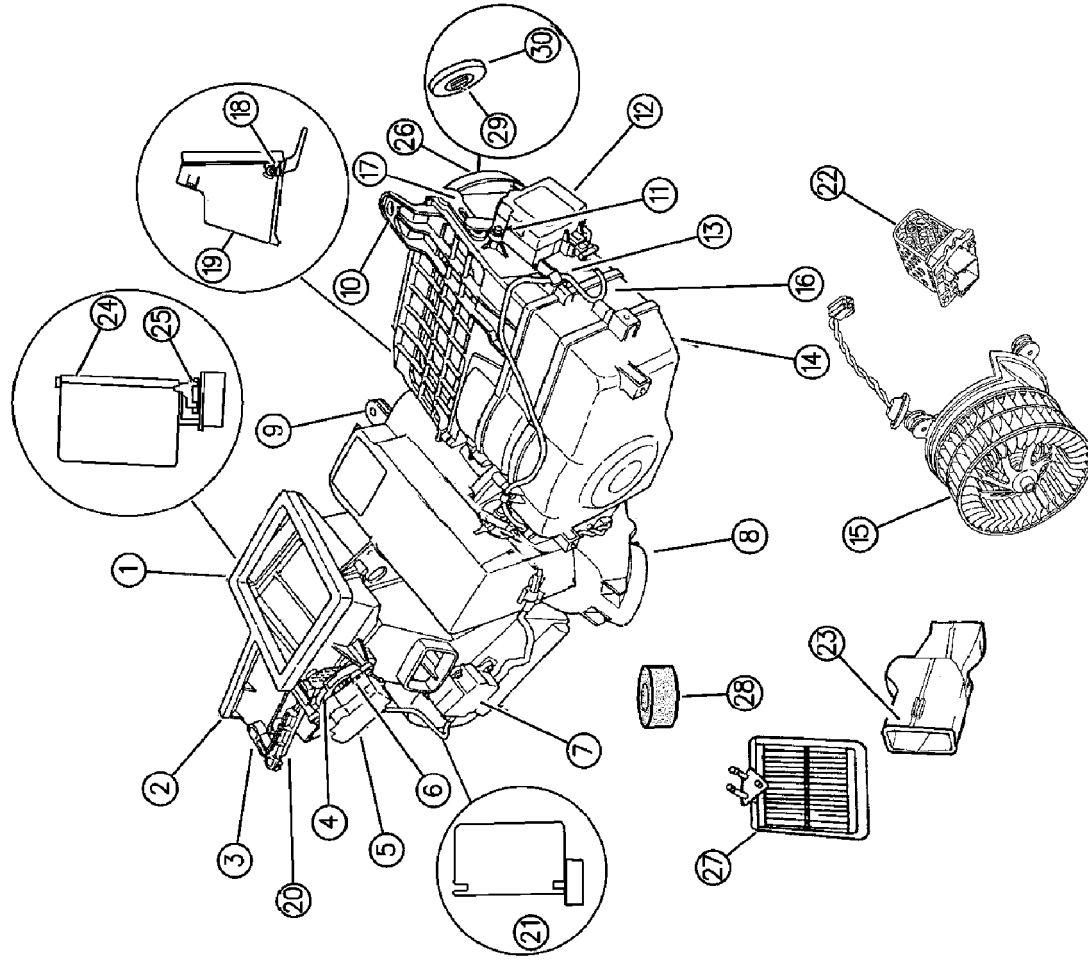


HEATER UNIT LH BODY
Figure 24-105

24-105A



ITEM	PART NUMBER	QTY	BODY	MODEL	DESCRIPTION
1	4644 171	1			SEAL, Vent
2	4644 172	1			SEAL, Defrost
3	4644 170	1			DOOR, Defrost
4	4644 168	1			LEVER, Control
	4734 385	1			SCREW w/Washer, Control Lever ***
5	4596 052	1			ACTUATOR, Mode Door
6	4644 167	1			CAM ***
7	4596 012	1			ACTUATOR, Blend Air Door
8	4644 022	1			HOUSING, Lower (Vehicles built up to 1-1-95 also order 4644168-Lever and 4734385-Screw
9	4644 023	1			HOUSING, Upper
	4644 388	3			CLIP, Housing
	4644 225	3			STUD, Housing
10	4644 018	1			HOUSING, Air Inlet
11		AR			SCREW (Not Serviced)
12	4596 051	1			ACTUATOR, Recirc Door
13		3			CLIP (Not Serviced)
14	4644 177	1			COVER, Motor
15	4596 050	1			MOTOR, w/Wheel
	4644 173	1			MOTOR, Blower
	2837 680	1			CLIP, Motor
		AR			SCREW, Fastening (Not Serviced)
16	4604 585	1			HARNES, Wiring
17	4644 020	1			CAM, Recirc. Door ***
18	4644 021	1			BEARING, Recirc Door
19	4644 019	1			DOOR, Recirc
20	4644 169	1			LINK, Defrost Door
21	4644 147	1			DOOR, Blend Air
22	4596 049	1			RESISTOR, Blower Motor
23	4596 092	1			DUCT, Floor
24	4644 148	1			DOOR, Vent
25	4644 149	1			LEVER, Vent Door
26	4596 016	1			SEAL, Air Inlet
27	4644 708	1			CORE, Heater
28	4596 013	1			GASKET, Drain Tube
29	4644 222	1			PLUG, Probe Opening
30	4644 221	1			GASKET, Plug

MODEL CODES:
 Chrysler = (CH41 = New Yorker, CP41 = LH8, DH41 = Intrepid(Canada), DP41 = Intrepid ES(Canada), LP41 = Concorde)
 DODGE = (DH41 = Intrepid(USA), DP41 = Intrepid ES(USA))
 EAGLE = (XP41 = Vision ES1, XS41 = Vision TS1)

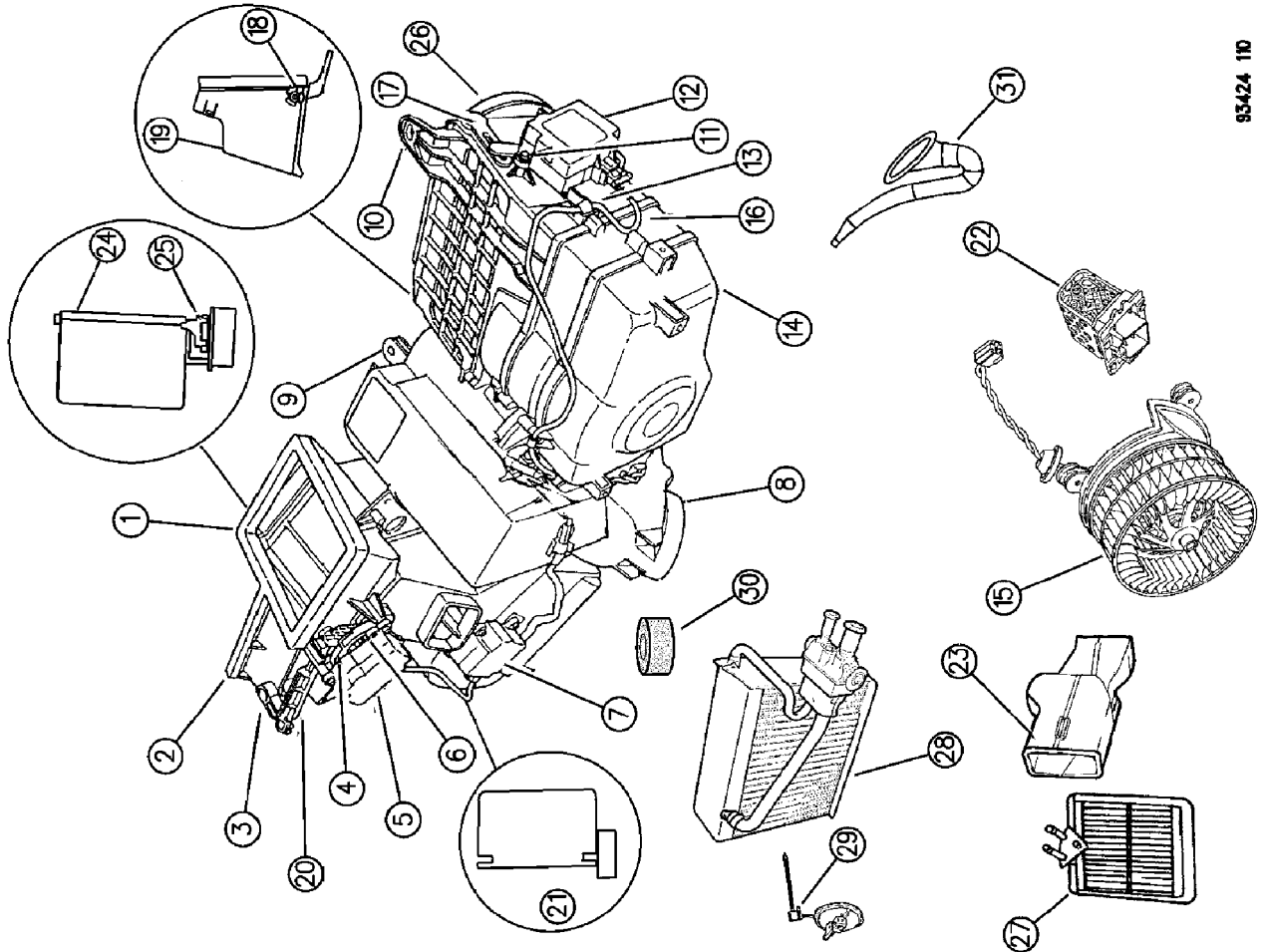
93424 105A

BODY STYLES:
 41 = 4 - Door Sedan ENGINE: 3.3L (EGB)
 3.5L (EGE) 24 Valve

AR = Use as Required - = Non Illustrated Part P.A.R. = Paint as Required

AIR CONDITIONING UNIT LH BODY
Figure 24-110

24-110



93424 110

ITEM	PART NUMBER	QTY	BODY	MODEL	DESCRIPTION
1	4644 171	1			SEAL, Vent
2	4644 172	1			SEAL, Defrost
3	4644 170	1			DOOR, Defrost
4	4644 168	1			LEVER, Control
5	4734 385	1			SCREW w/Washer, Control Lever ***
6	4596 052	1			ACTUATOR, Mode Door
7	4644 167	1			CAM ***
8	4596 012	1			ACTUATOR, Blend Air Door
9	4644 022	1			HOUSING, Lower (Vehicles built up to 1-1-95 also order 4644168-Lever and 4734385-Screw)
10	4644 023	1			HOUSING, Upper
11	4644 709	1			SEAL, End Plate, Header End
12	6502 683	1			STUD, Unit Mounting
13	4644 388	3			CLIP, Housing
14	4644 225	3			STUD, Housing
15	4644 609	1			CLIP, Balancing
16	4644 608	1			.08 Grams
17	4644 607	1			.17 Grams
18	4644 606	1			.26 Grams
19	4644 018	1			.37 Grams
20	4596 051	AR			HOUSING, Air Inlet
21	4644 177	1			SCREW (Not Serviced)
22	4596 050	1			ACTUATOR, Recirc Door
23	4644 173	3			CLIP (Not Serviced)
24	4644 175	1			COVER, Motor
25	2837 680	1			MOTOR, w/Wheel
26	4604 585	1			MOTOR, Blower
27	4644 400	2			WHEEL, Motor
28	4644 020	1			CLIP, Motor
29	4644 021	AR			SCREW, Fastening (Not Serviced)
30	4644 019	1			HARNES, Wiring
31	4644 384	1			CLIP, Harness
32	4644 385	1			CAM, Recirc. Door ***
33	4644 169	1			BEARING, Recirc Door
34	4644 147	1			DOOR, Recirc
35	4596 049	1			SEAL, Recirc. Door
36	4596 092	1			SEAL, Recirc. Door
37	4644 148	1			LINK, Defrost Door
38	4644 147	1			DOOR, Blend Air
39	4596 049	1			RESISTOR, Blower Motor
40	4596 092	1			DUCT, Floor
41	4644 148	1			DOOR, Vent

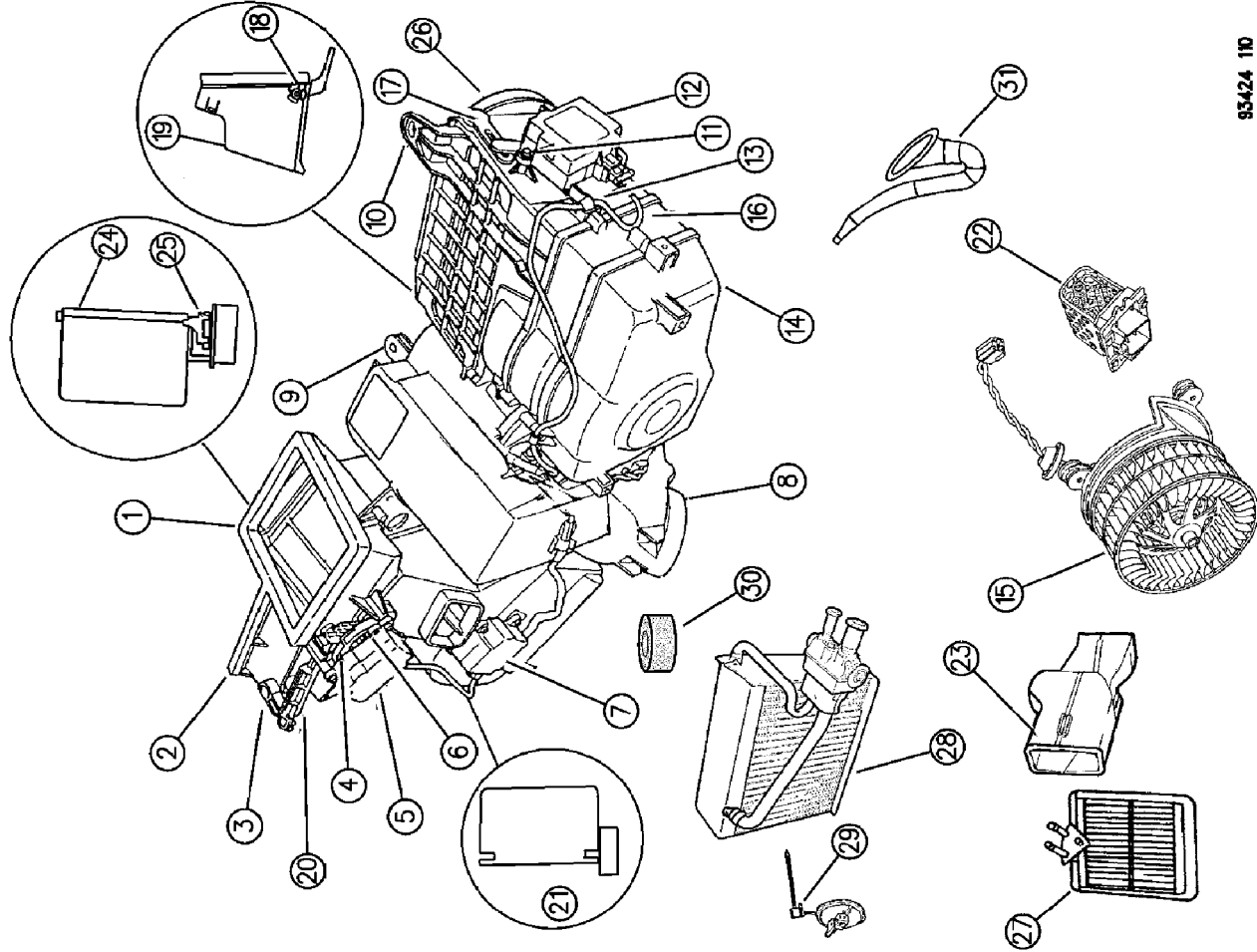
MODEL CODES:
 Chrysler = (CH41 = New Yorker, CP41 = LH8, DH41 = Intrepid(Canada), DP41 = Intrepid ES(Canada), LP41 = Concorde)
 DODGE = (DH41 = Intrepid(USA), DP41 = Intrepid ES(USA))
 EAGLE = (XP41 = Vision ES1, XS41 = Vision TS1)

BODY STYLES:
 41 = 4 - Door Sedan ENGINE: 3.3L (EGB)
 3.5L (EGE) 24 Valve



AIR CONDITIONING UNIT LH BODY
Figure 24-110

24-110



ITEM	PART NUMBER	QTY	BODY	MODEL	DESCRIPTION
25	4644 149	1			LEVER, Vent Door
26	4596 016	1			SEAL, Air Inlet
27	4644 708	1			CORE, Heater
28	4797 129	1			EVAPORATOR ASSEMBLY ***
	4474 324-5	1			RING, Coil Braze
	4734 278	1			SEAL, Evaporator (11mm)
		1			LINER, Evaporator
	4644 593	1			Upper
	4644 594	1			Lower
29	4596 078	1			PROBE, Thermister ***
30	4596 013	1			GASKET, Drain Tube
31	4596 099	1			DRAIN ASSEMBLY, Evaporator ***
-	4596 179	1			LABEL, Hevac Assembly

MODEL CODES: Chrysler = (CH41 = New Yorker, CP41 = LH5, DH41 = Intrepid(Canada), DP41 = Intrepid ES(Canada), LP41 = Concorde)
 DODGE = (DH41 = Intrepid(USA), DP41 = Intrepid ES(USA))
 EAGLE = (XP41 = Vision ES1, XS41 = Vision TS1)

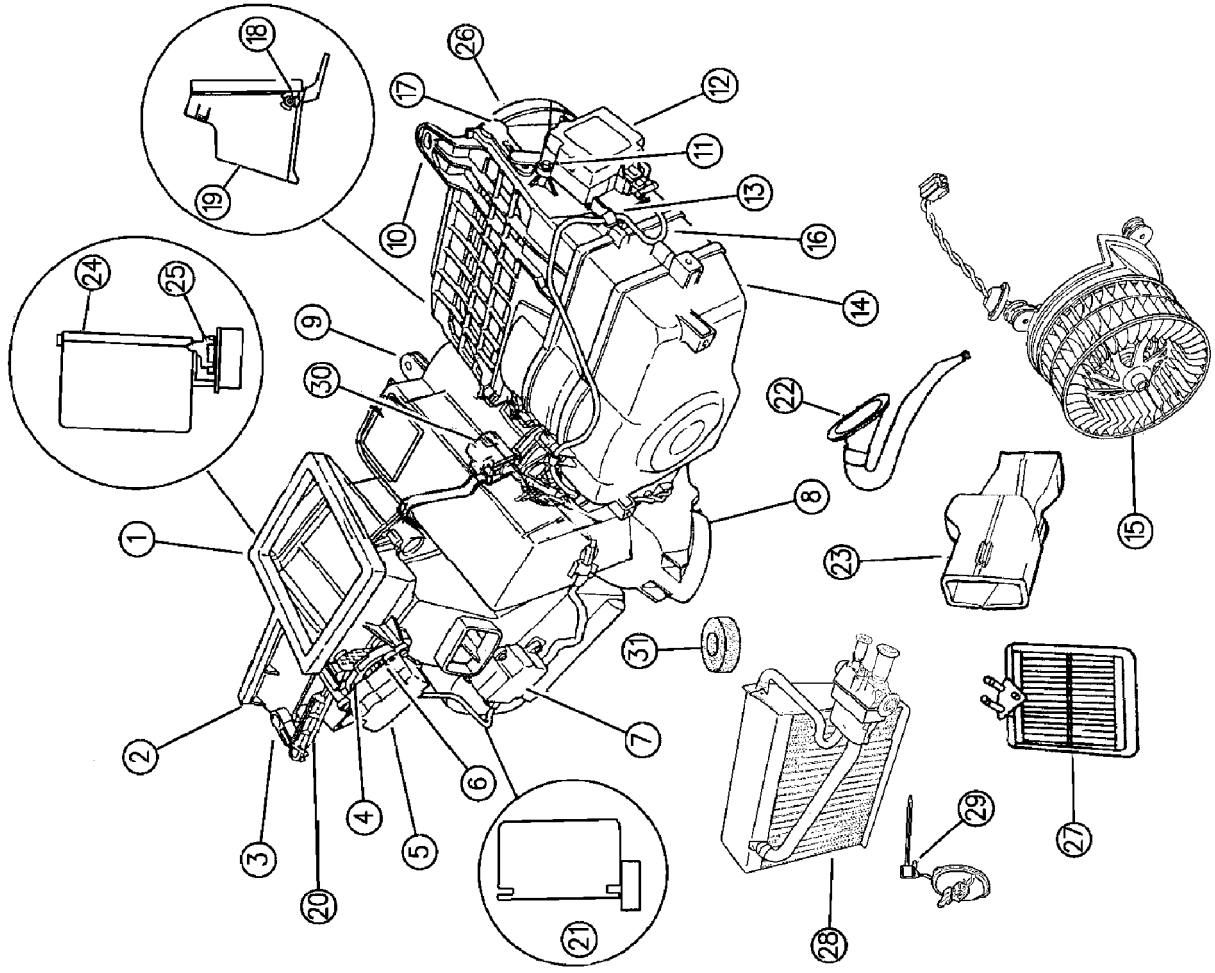
BODY STYLES:
 41 = 4 - Door Sedan ENGINE: 3.3L (EGB)
 3.5L (EGE) 24 Valve

93424 110



ATC UNIT LH BODY
Figure 24-120

24-120B



ITEM	PART NUMBER	QTY	BODY	MODEL	DESCRIPTION
1	4644 171	1			SEAL, Vent
2	4644 172	1			SEAL, Defrost
3	4644 170	1			DOOR, Defrost
4	4644 168	1			LEVER, Control
	4734 385	1			SCREW w/WASHER, Control Lever ***
5	4596 052	1			ACTUATOR, Mode Door
6	4644 167	1			CAM ***
7	4596 012	1			ACTUATOR, Blend Air Door
8	4644 022	1			HOUSING, Lower (Vehicles built up to 1-1-95 also order 4644168-Lever and 4734385-Screw LINER, A/C, Lower HOUSING, Upper CLIP, Housing
9	4644 594	1			STUD, Housing
	4644 023	1			HOUSING, Air Inlet
	4644 388	3			SCREW (Not Serviced)
10	4644 225	3			ACTUATOR, Recirc Door
11	4644 018	1			CLIP (Not Serviced)
12	4596 051	1			COVER, Motor
13	4644 177	1			MOTOR, w/Wheel
14	4596 050	1			MOTOR, Blower
15	4644 173	1			CLIP, Motor
	2837 680	1			SCREW, Fastening (Not Serviced)
16	4604 585	1			HARNES, Wiring
17	4644 020	1			CAM, Recirc. Door ***
18	4644 021	1			BEARING, Recirc Door
19	4644 019	1			DOOR, Recirc
20	4644 169	1			LINK, Defrost Door
21	4644 147	1			DOOR, Mode - Blend Air
22	4596 099	1			DRAIN ASSEMBLY, HVAC Unit ***
23	4596 092	1			DUCT, Floor
24	4644 148	1			DOOR, Vent
25	4644 149	1			LEVER, Vent Door
26	4596 016	1			SEAL, Air Inlet
27	4644 708	1			CORE, Heater
28	4882 864	1			EVAPORATOR ASSEMBLY ***
	4644 224	1			SEAL, Evaporator Tubes
	4644 593	1			LINER, Evaporator Upper
	4644 594	1			Lower
29	4596 078	1			PROBE, Thermister ***
30					MODULE, Blower Control (Resistor)

MODEL CODES:
 Chrysler = (CH41 = New Yorker, CP41 = Intrepid(Canada), DH41 = Intrepid(Canada), DP41 = Intrepid ES(Canada), LP41 = Concorde)
 DODGE = (DH41 = Intrepid(USA), DP41 = Intrepid ES(USA))
 EAGLE = (XP41 = Vision ES), XS41 = Vision TS)

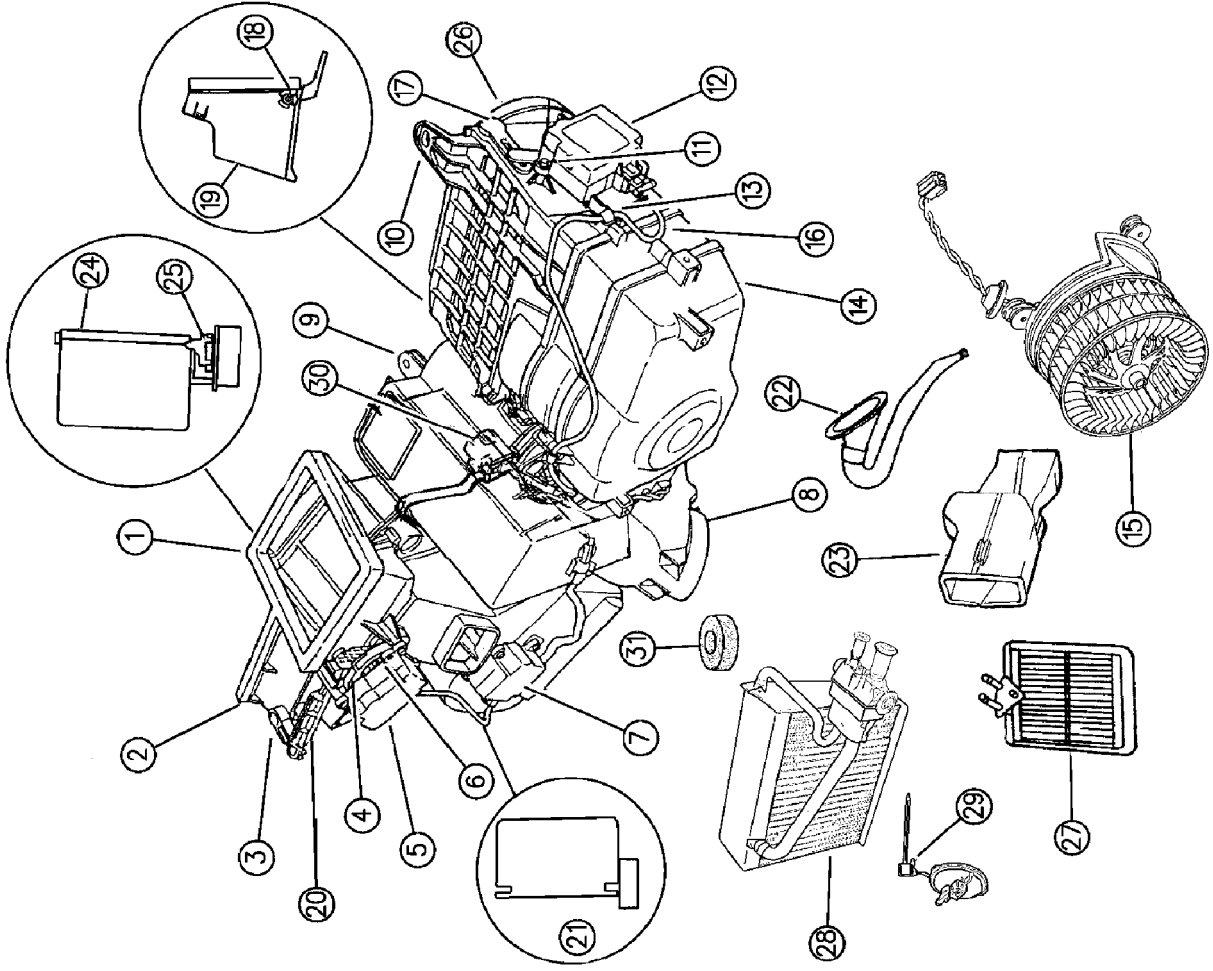
BODY STYLES:
 41 = 4 - Door Sedan ENGINE: 3.3L (EGB)
 3.5L (EGE) 24 Valve

93424 120A



ATC UNIT LH BODY
Figure 24-120

24-120B



ITEM	PART NUMBER	QTY	BODY	MODEL	DESCRIPTION
------	-------------	-----	------	-------	-------------

	4596 060	1			Stamped 73406302, 1993-5
	4734 913	1			1996
31	4596 013	1			GASKET, Drain Tube

MODEL CODES:
 Chrysler = (CH41 = New Yorker, CP41 = Intrepid(Canada), DH41 = Intrepid(Canada), DP41 = Intrepid ES(Canada), LP41 = Concorde)
 DODGE = (DH41 = Intrepid(USA), DP41 = Intrepid ES(USA))
 EAGLE = (XP41 = Vision ES, XS41 = Vision TS)

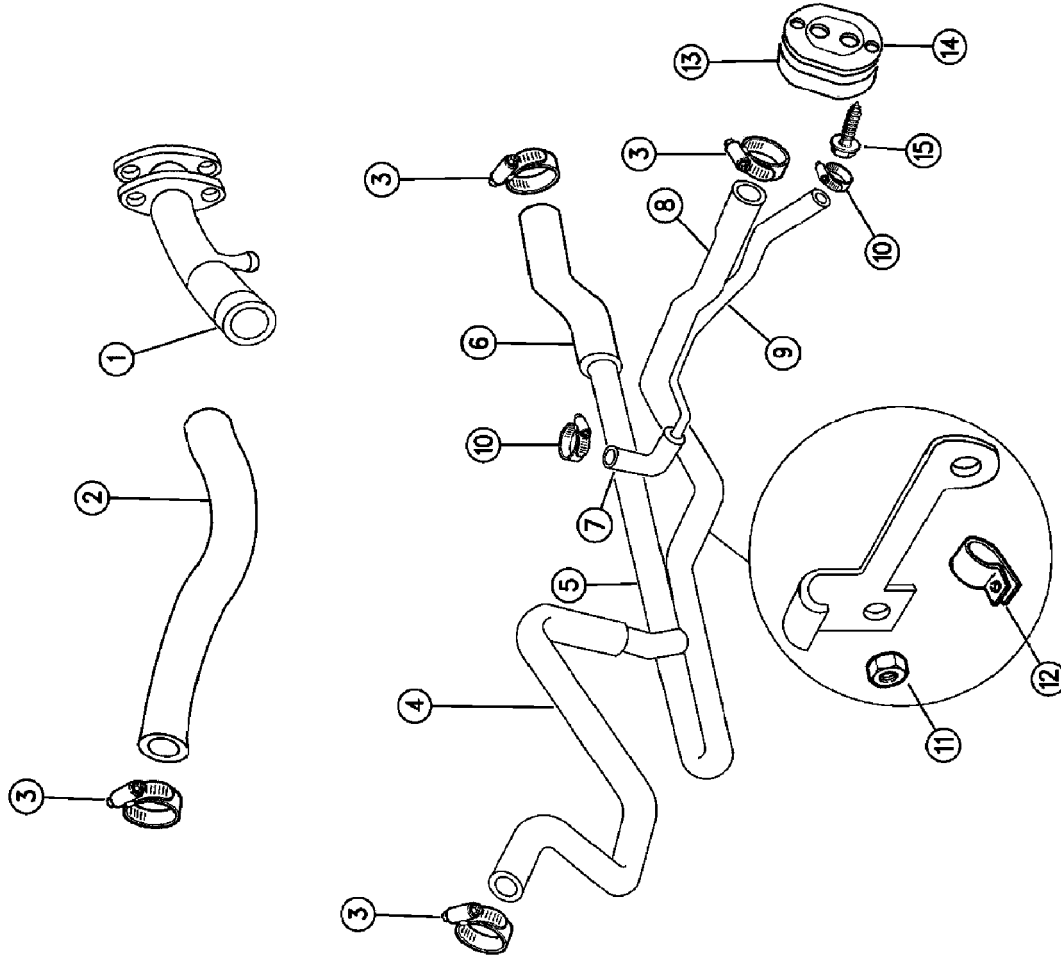
BODY STYLES:
 41 = 4 - Door Sedan ENGINE: 3.3L (EGB)
 3.5L (EGE) 24 Valve

93424 120A



HEATER PLUMBING LH BODY Figure 24-205

24-205A



ITEM	PART NUMBER	QTY	BODY	MODEL	DESCRIPTION
1	4663 375	1			TUBE, Outlet 3.3L Engine
	4663 379	1			3.5L Engine
	4448 852	1			GASKET, to Manifold HOSE, Heater Supply
2	4592 042	1			3.3L Engine
	4596 233	1			3.5L Engine
3	6502 018	AR			CLAMP
4	4592 107	1			HOSE, Heater Core, Return
5	4596 190	1			TUBE and HOSE, Heater Return (with Bracket) ***
	4596 189	1			3.3L Engine
					3.5L Engine
6	4592 111	1			HOSE, Water Pump Return
	4592 105	1			3.3L Engine
					3.5L Engine
7	4592 043	1			HOSE, Supply Tube
	4592 110	1			3.3L Engine
					3.5L Engine
8	4592 104	1			HOSE, Bottle Return
9	4592 124	1			HOSE, Bottle Supply
10	4592 126	1			CLAMP
11	6101 467	2			NUT
12	4604 609	1			CLIP
13	3501 3133	1			PLATE, Heater Hose Seal Backing
14	4596 103	1			SEAL, Heater Tubes
15	6032 360	2			SCREW

MODEL CODES:
 Chrysler = (CH41 = New Yorker, CP41 = Intrepid(Canada), DH41 = Intrepid(USA), DP41 = Intrepid ES(Canada), LP41 = Concorde)
 DODGE = (DH41 = Intrepid(USA), DP41 = Intrepid ES(USA))
 EAGLE = (XP41 = Vision ES, XS41 = Vision TS)

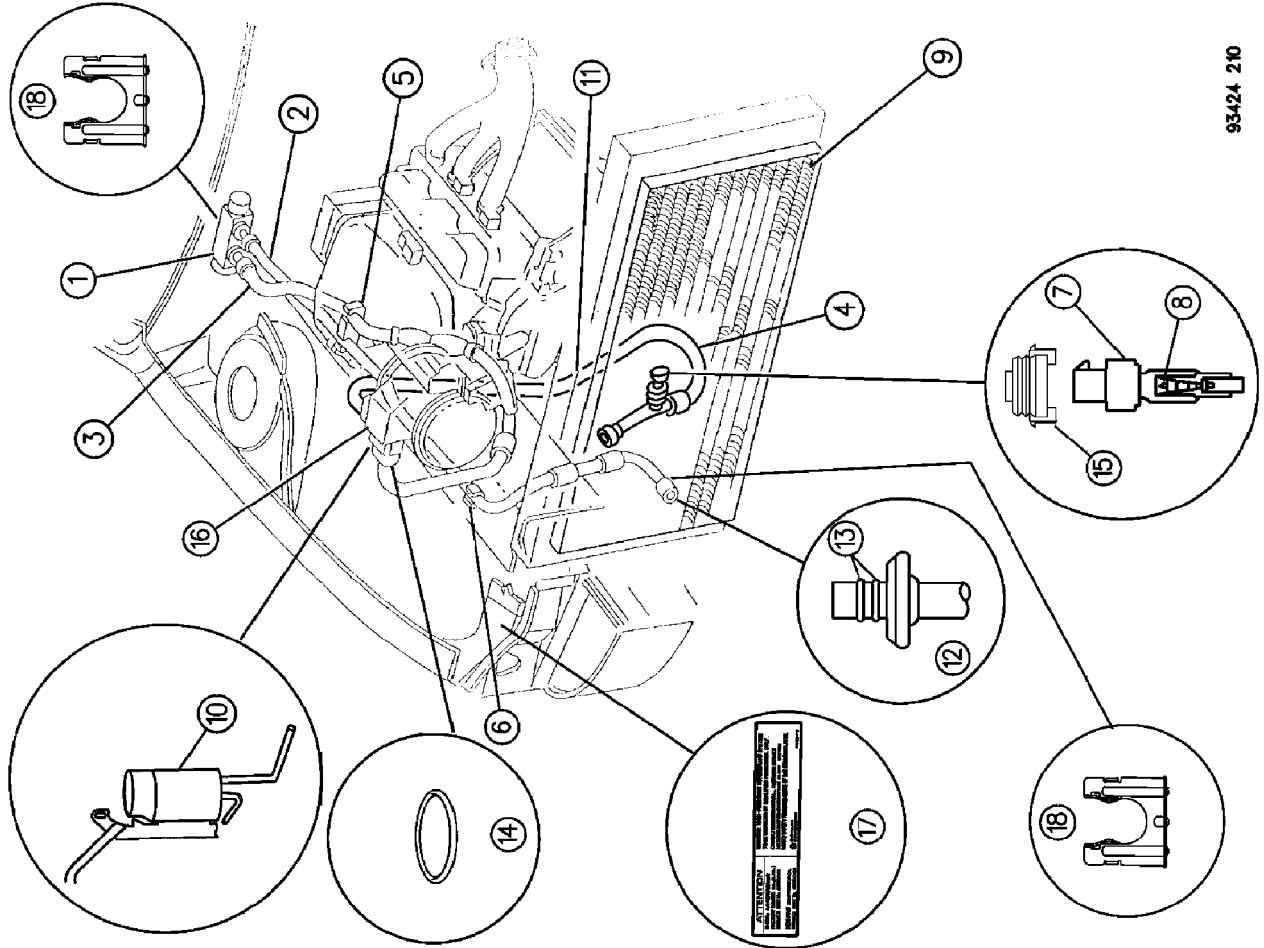
BODY STYLES:
 41 = 4 - Door Sedan ENGINE: 3.3L (EGB)
 3.5L (EGE) 24 Valve

93424 205

AR = Use as Required - = Non Illustrated Part P.A.R. = Paint as Required

A/C PLUMBING LH BODY
Figure 24-210

24-210B



ITEM	PART NUMBER	QTY	BODY	MODEL	DESCRIPTION
1	4596 077	1			VALVE, Expansion, w/Gasket
-	6032 572	2			SCREW, Valve Mounting
-	4677 045	1			GASKET, Expansion Valve to Evap. Coil
-	4596 054	1			GASKET, H-Valve Fixation (H-Valve to Fire Wall), 6 x 4
2	4596 031	1			LINE ASSEMBLY, Liquid ***
-	4644 589	1			SLEEVE, Liquid Line
3	4757 011	1			LINE ASSEMBLY, Suction ***
-	4757 020	1			3.3L Engine
-	4644 013	1			3.5L Engine
4	5011 528AA	1			SLEEVE, Suction Line
-	4610 070	1			LINE ASSEMBLY, Discharge ***
-	4610 072	1			3.3L Engine (Transitory Level Emission Vehicle)
-	5011 529AA	1			3.5L Engine, w/Transducer, O-Rings and Fittings (1993-96)
-	4610 071	1			1997
-	4761 612	1			O-RING, Compressor to Condenser
5	4723 021	1			BRACKET, Isolator Rear
6	4723 020	1			BRACKET, Isolator Front
7	4796 563	1			TRANSDUCER ***
8	4723 029	1			VALVE, Fitting at Transducer
9	4883 227	1			PIGTAIL KIT, Transducer ***
-	4596 188	1			CONDENSER
-	4758 586	1			1996 (Valeo)
-	5013 852AA	1			1996 (Modine)
10	1150 3714	4			U-NUT, Condenser to Radiator Attaching
-	4592 056	1			DRIER and BRACKET ASSEMBLY ***
-	4720 747	1			GASKET, Drier
-	4762 522	1			O-RING, Condenser to Drier
11	4882 139	1			R-12
-	4596 180	1			R-134 (Green)
12	4723 398	1			BRACKET, Condenser Inlet Tube
-	4723 399	1			SPRING
13	4723 019	2			Liquid Line
-	4723 025	2			Suction Line
-	4762 267	2			Discharge Line
14	4723 031	1			O-RING, Line to Compressor
-					Suction Line, Black (3/4")

MODEL CODES: Chrysler = (CH41 = New Yorker, CP41 = Intrepid(Canada), DH41 = Intrepid(Canada), DP41 = Intrepid ES(Canada), LP41 = Concorde)
DODGE = (DH41 = Intrepid(USA), DP41 = Intrepid ES(USA))
EAGLE = (XP41 = Vision ES, XS41 = Vision TSi)

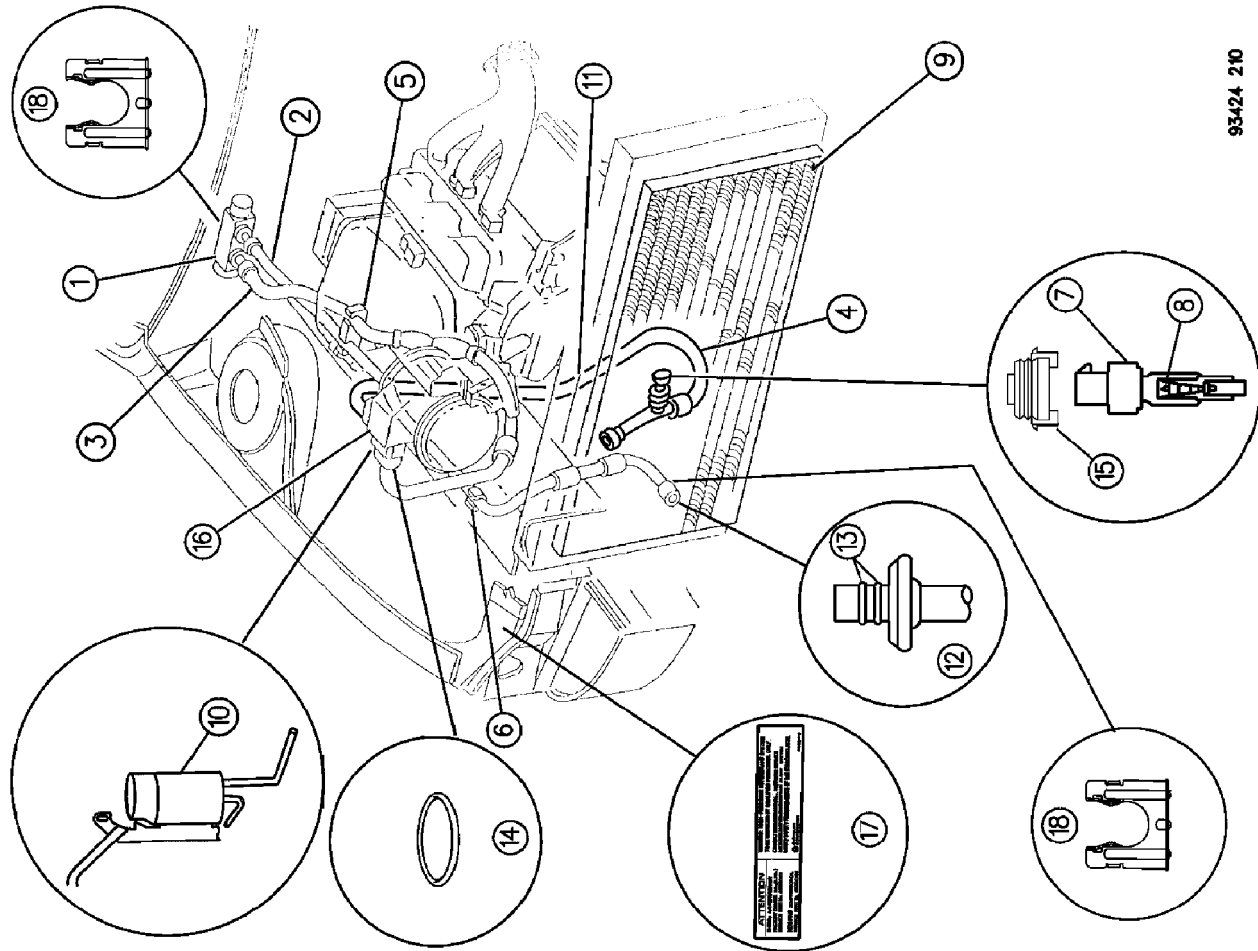
BODY STYLES:
41 = 4 - Door Sedan ENGINE: 3.3L (EGB)
3.5L (EGE) 24 Valve

93424 210



A/C PLUMBING LH BODY Figure 24-210

24-210B



93424 210

ITEM	PART NUMBER	QTY	BODY	MODEL	DESCRIPTION
15	4741 716	1			Discharge Line, Green (5/8")
	4604 133	1			GROMMET ASSEMBLY, Transducer Connect ***
	4728 323	1			WIRING ASSEMBLY, Transducer Connector Repair ***
16	4596 148	1			COMPRESSOR
17	4596 179	1			DECAL, A/C System Spec. (used with Valeo Condenser)
	5013 853AA	1			(used with Modine Condenser)
18	4596 151	1			CLIP, Tube Lock Coupling, Quick Disconnect
	4596 153	1			Liquid Line
	4596 152	1			Suction Line
					Discharge Line

MODEL CODES:
 Chrysler = (CH41 = New Yorker, CP41 = LH5, DH41 = Intrepid(Canada), DP41 = Intrepid ES(Canada), LP41 = Concorde)
 DODGE = (DH41 = Intrepid(USA), DP41 = Intrepid ES(USA))
 EAGLE = (XP41 = Vision ES, XS41 = Vision TS)

BODY STYLES:
 41 = 4 - Door Sedan ENGINE: 3.3L (EGB)
 3.5L (EGE) 24 Valve

AR = Use as Required - = Non Illustrated Part P.A.R. = Paint as Required